

# P-410

Professional  
vacuum steam  
cleaning



# P-410

**P-410 is a professional steam cleaning machine for deep sanitation of all surfaces by way of its 4 available functions and 10 bar pressure.**

with a high pressure dry steam jet that can be used alone or together with a detergent dispenser. This allows it to remove the most stubborn dirt while minimising the use of chemicals.

Furthermore, the steam can mix with water to rinse the surfaces and eliminate every residue.

The supplied vacuum cleaner can immediately dry surfaces by collecting solids and liquids inside a spacious steel drum.

**Surfaces washed, dried and sanitised in an instant.**

Dry steam  
and twin  
Power Jet



# P-410

## Power, autonomy and versatility

**Its power and autonomy features are modular: easy to refill removable tanks, separable vacuum cleaner and extractable handlebar.**

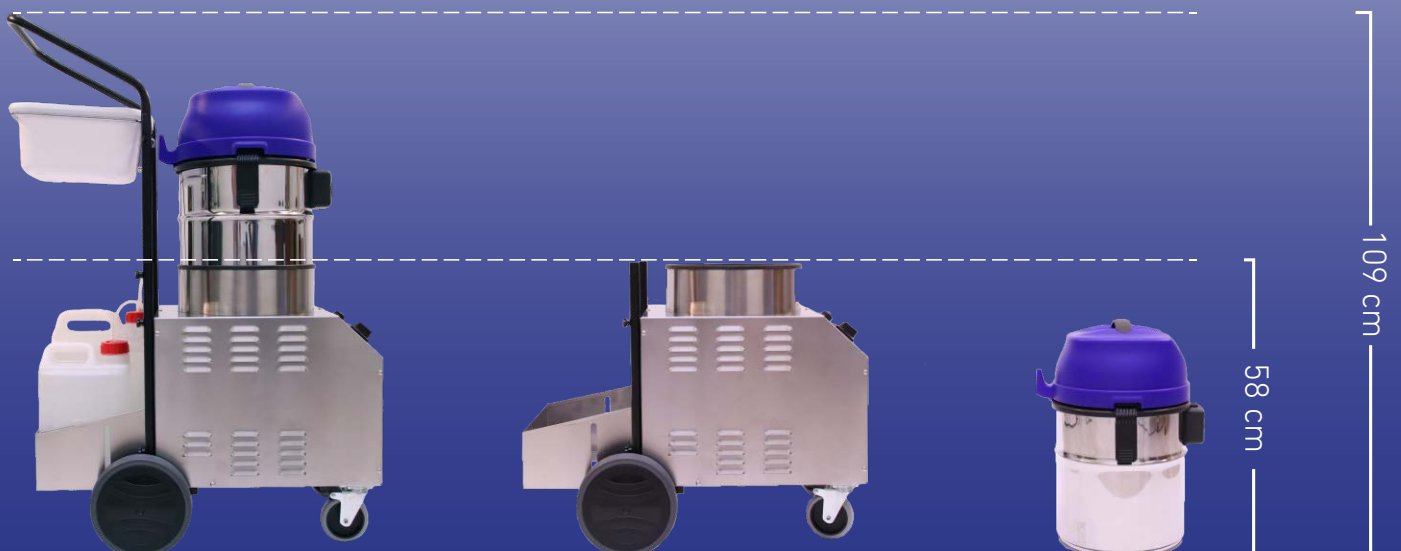
The water tank (10 lt) is extractable, so that it can easily be carried and filled without using further jerry cans or funnels.

The detergent tank (5 lt) is also easy to fill and buying an extra tank allows you to use different types of detergents without needing to wash it at every change.



### Saves height space

The vacuum cleaner is housed on top of a sturdy stainless steel body which once disassembled, considerably reduces the height of P-410 allowing it to be easily transported even in normal vehicles.



# The boiler refills automatically

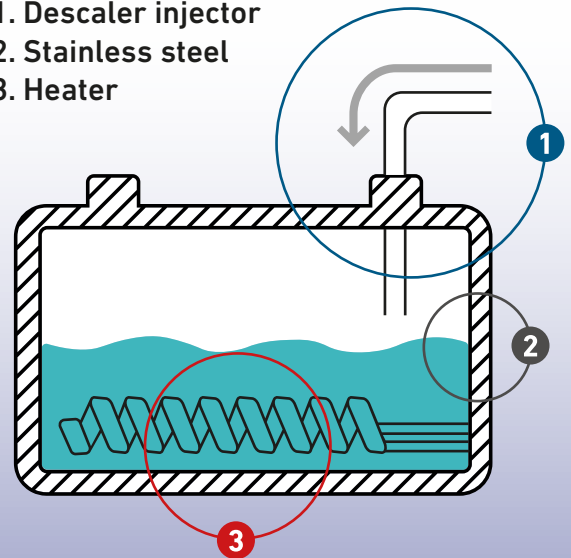
**P-410**  
MADE IN ITALY

**P-410's 184°C steam guarantees deep hygiene thanks to its efficient boiler.**

The boiler is one of the main components of the machine, inside of which steam is generated. Scaling is the boiler's greatest enemy. Maxima makes use of technologies designed to reduce the risks of obstruction and malfunctioning. The special construction of P-410's boiler allows it to be cleaned thus guaranteeing efficient use throughout the years.

## STEAM GENERATION

1. Descaler injector
2. Stainless steel
3. Heater



## Automatic refill

A high-pressure pump injects water directly into the boiler thus keeping its level constant while the steam is being used. The tank can be refilled even with the machine on without wasting time.

P-410's steam at 184°C guarantees deep hygiene



# Steam enhanced with Twin Power Jet

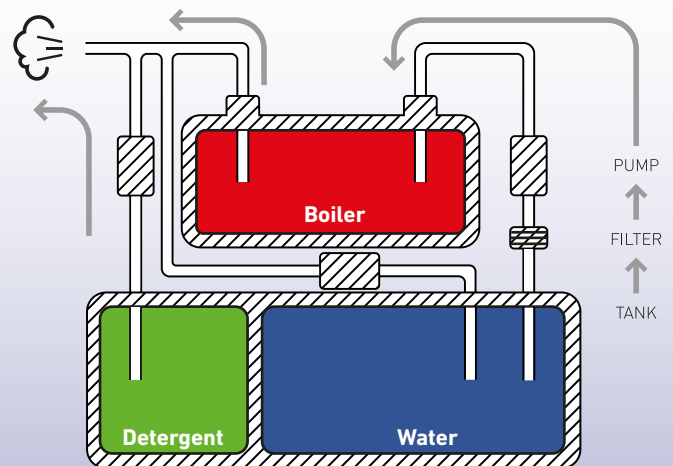
**P-410**  
MADE IN ITALY

**The dry steam of P-410 together with the Twin Power Jet function thoroughly cleans even the most hard-to-wash surfaces.**

This function increases the effectiveness of the steam and the removal of dirt. A special pressure pump injects detergent together with the steam outlet. A second pump injects water together with steam.

Two Power Jets in the same machine.

## TWIN PLUS SYSTEM



The Twin  
Power Jet  
speeds up  
filth removal



# Separable vacuum cleaner

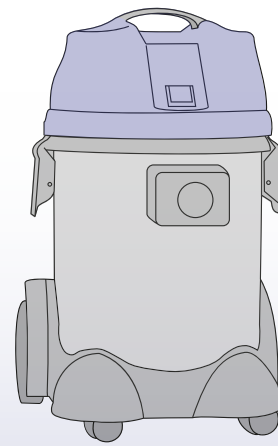
**P-410**  
MADE IN ITALY

## Professional twin turbine vacuum cleaner

P-410's two-stage 1400 W vacuum cleaner guarantees excellent drying of the surfaces treated with steam and, with the aid of an optional kit, can be used alone as a powerful vacuum cleaner/liquid vacuum. Its steel drum has a 15-litre collection capacity

**P-410 always vacuums at the maximum efficiency.**

## VACUUM CLEANER WITH OPTIONAL TROLLEY



P-410 always vacuums at the maximum efficiency.





accessories included



Steam lance adapter



Multifunction brush



Extensions



Handle with hose



Wiper



Transparent opening



Degreaser



150-mm opening

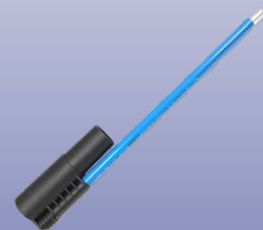
optional accessories



Turbopapar



Extendable hose



Metallic long steam lance



Kit sanitation maxi



Window cleaner with bristle 360°



Large transparent opening

P-410

MADE IN ITALY

## Technical data

Electric absorption : **15 A**  
Suction: **2400 MM**  
Motor power: **1200 - 1400 W**  
Max size: **79,5 X 46 X 109 CM**  
Min size: **74,5 X 46 X 58 CM**  
Steam pressure: **1000 kPa**  
Boiler power: **3500 W**  
Boiler volume: **3,5 L**  
Refill system: **AUTOMATIC**  
Steam ready: **10 MIN**  
Water tank for steam: **10 L**  
Detergent tank: **5 L**  
Dirty water tank: **15 L**  
Power Jet enriched steam: **YES**



HIGH POWER



WATER FILTER



CE MARKING



MADE IN ITALY



Cleaner Group srl  
Via Cristoforo Colombo, 57  
64100 San Nicolo a Tordino[TE]  
Tel +39 0861 432586  
[www.Cleaner.it](http://www.Cleaner.it)



The entire range is exclusively made in Italy, in full respect of EC directives, with Italian components, to ensure maximum reliability, efficiency and durability.

**Genuine Made in Italy**